

~~NOT APPROVED~~

NO. 200-047 DATE R2. 4. 13 (SUPERSEDES NO.)
REV. DATE (SUPERSEDES NO.)
REASON

昇降計の代替品追加に伴うパーツ・カタログの一部改訂について

昇降計の代替品を追加するための型式設計変更について、航空局の承認（第 20-18-A002 号（2020. 2. 26）及び第 22-15-A002 号（2020. 2. 26））を受けました。これに伴い、パーツ・カタログの内容に一部変更が生じたので、その改訂内容をお知らせ致します。

下記要領に従い該当頁を差換えて使用して下さい。

マニュアル No.	本紙頁	パーツ・カタログの頁
FA200-201	3, 4	6-12 / 6-13
FA200-202	5, 6	6-13 / 6-14

(Blank Page)

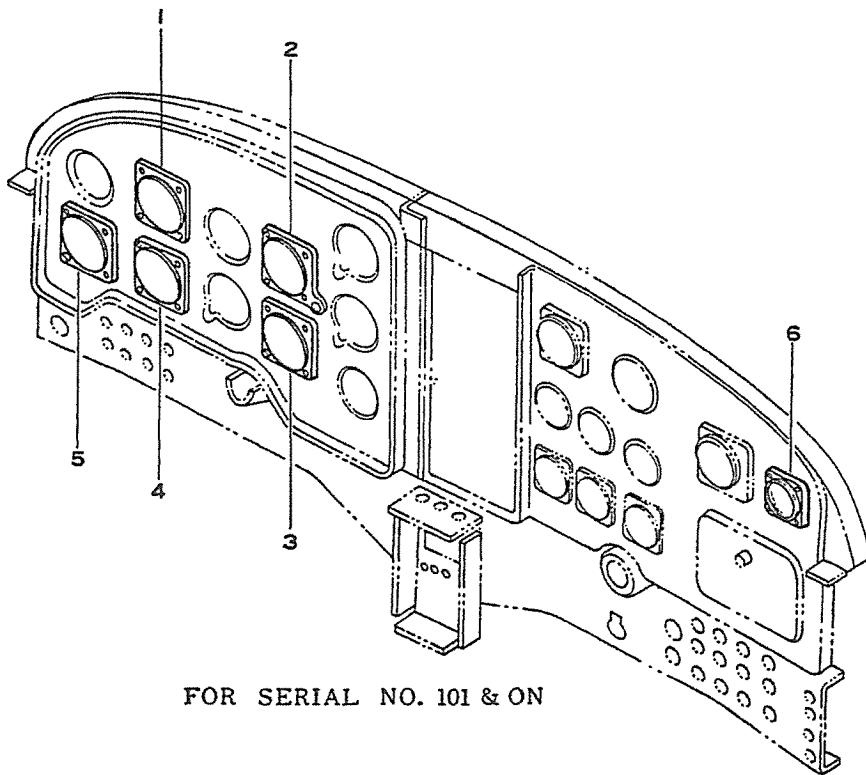
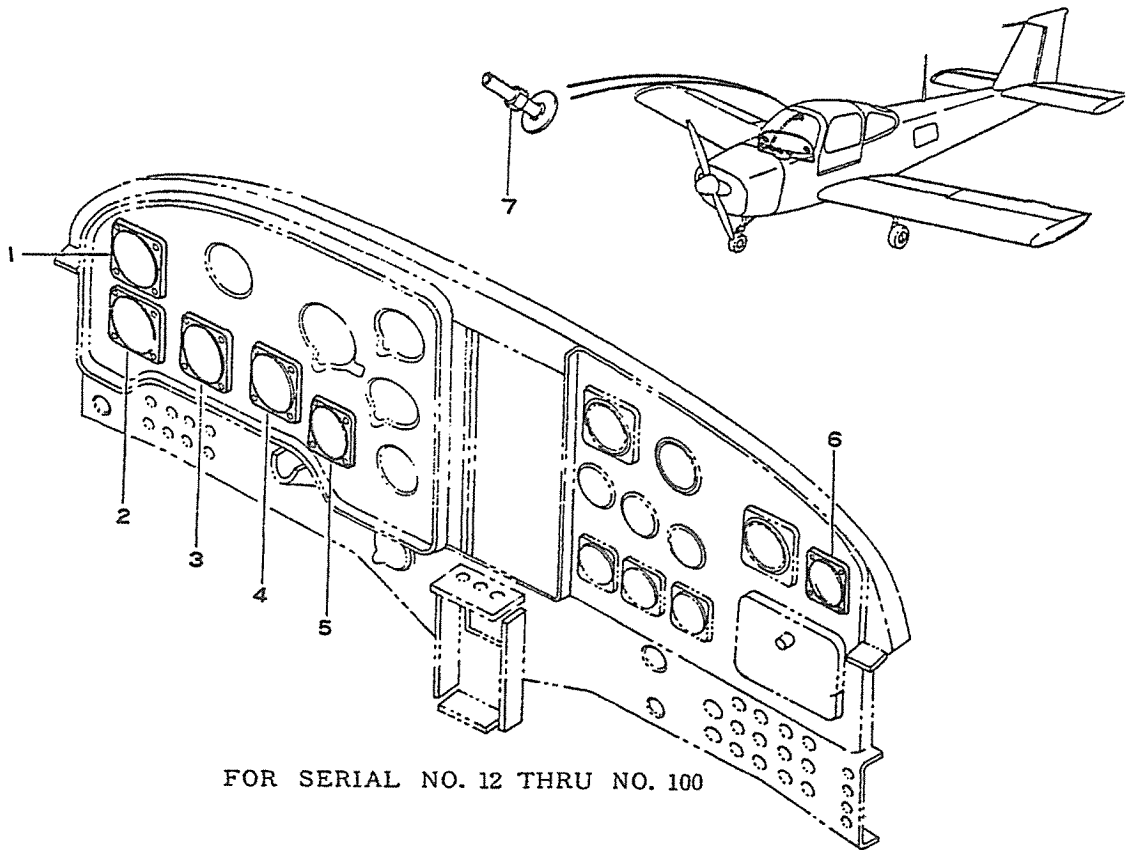


FIGURE 28. INSTRUMENTS

ISSUED: NOVEMBER 1970

SECTION VI
INSTRUMENTS GROUP



INSTRUMENTS

FIG & INDEX NO.	PART NO.	DESCRIPTION	UNITS PER ASS'Y	USABLE ON CODE
		1234567		
28		INSTRUMENTS		
-1	SA-40-1RA NAS487-13 MS35206-234	•INDICATOR, AIR SPEED, KNOTS (TKK)..... /ATTACHING PARTS/ •NUT..... •SCREW..... ----- * -----	1 4 4	
-2	LA-40-1A or LA-40-1 or LA-4-1 or LA-71-11 or LA-71-11A NAS487-13 MS35206-232	•INDICATOR, ALTIMETER (TKK) /ATTACHING PARTS/ •NUT..... •SCREW..... ----- * -----	1 3 3	
-3	CA-52-1 or 22-201-01-1A or 7000C.2 or 7000C.31 NAS487-13 NAS487-21 MS35206-232 MS35206-234	•INDICATOR, RATE OF CLIMB (TKK or WS or UI) (DIAL CONFIGURATION: 7000C.2 (SOLID TYPE), 7000C.31 (SPLIT TYPE)) /ATTACHING PARTS/ •NUT..... •NUT..... •SCREW..... •SCREW..... ----- * -----	1 3 3 3 3	A B A B
-4	TE-3 or 23-324-01 NAS487-13 NAS487-21 MS35206-232 MS32506-233	•INDICATOR, TURN AND SLIP (TKK or WS)..... /ATTACHING PARTS/ •NUT..... •NUT..... •SCREW..... •SCREW..... ----- * -----	1 4 3 4 3	A B A B
-5	22-101-05-A AN5743-2 or A-11-90 or W-33-7510-ET NAS487-13 MS35206-232	•CLOCK (WS or LW or WW)..... /ATTACHING PARTS/ •NUT..... •SCREW..... ----- * -----	1 2 2	
-6	MS28025-1 or 22-580-01-A or 22-580-05-1A NAS487-13 MS35206-232	•ACCELEROMETER (TKK or TKS or WS) /ATTACHING PARTS/ •NUT..... •SCREW..... ----- * -----	1 3 3	
-7	2716 or OB-11-1A	•INDICATOR FREE AIR TEMP..... (SCI or TKK)	1	
		AFOR SERIAL NO. 12 THRU NO. 100 BFOR SERIAL NO. 101 & ON		

ISSUED: FEBRUARY 2020

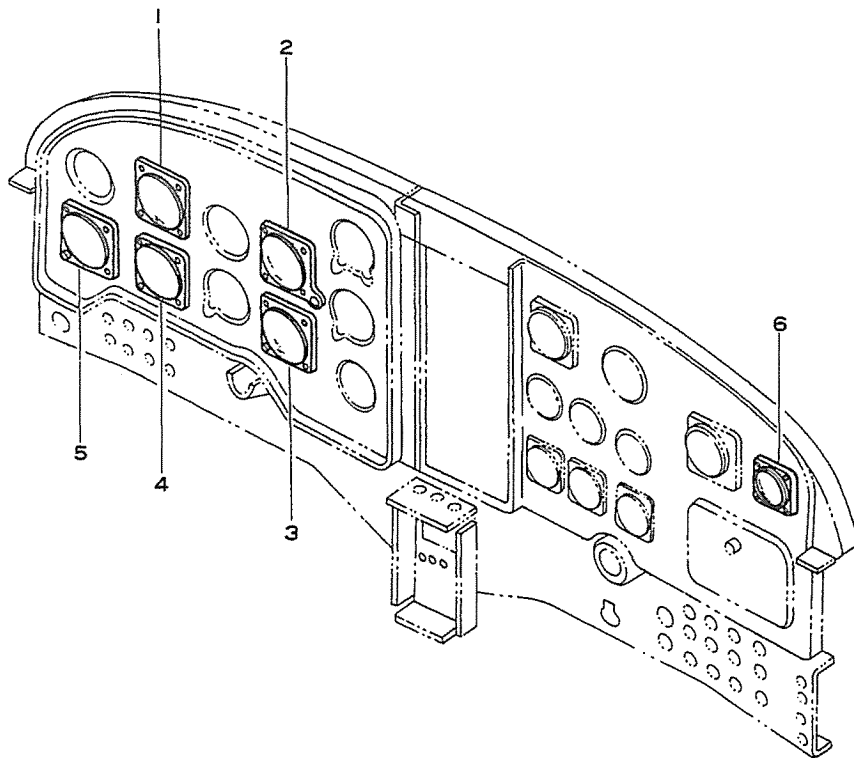
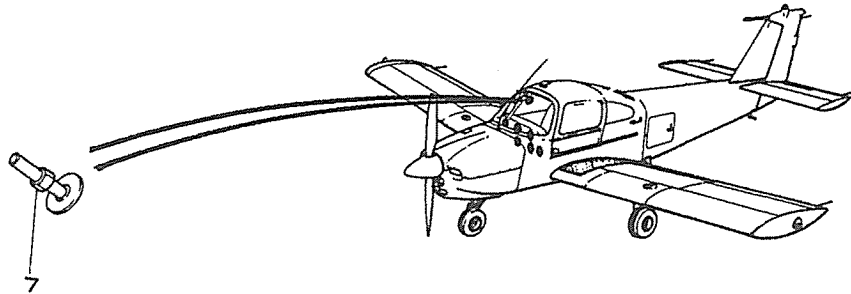


FIGURE 26. INSTRUMENTS



FIG & INDEX NO.	PART NO.	DESCRIPTION	UNITS PER ASS'Y	USABLE ON CODE
		1234567		
26		INSTRUMENTS		
-1	SA-40-1RA or EA-5171-1	•INDICATOR, AIR SPEED, KNOTS (TKK)..... •INDICATOR, AIR SPEED..... /ATTACHING PARTS/	1 1	
	NAS487-13 MS35206-234	•NUT..... •SCREW..... ----- * -----	4 4	
-2	LA-40-1A or LA-40-1 or LA-4-1 or LA-71-11 or LA-71-11A	•INDICATOR, ALTIMETER (TKK) /ATTACHING PARTS/	1	
	NAS487-13 MS35206-232	•NUT..... •SCREW..... ----- * -----	3 3	
-3	CA-52-1 or 22-201-01-1A or 7000C.2 or 7000C.31	•INDICATOR, RATE OF CLIMB (TKK or WS or UI) (DIAL CONFIGURATION: 7000C.2 (SOLID TYPE), 7000C.31 (SPLIT TYPE)) /ATTACHING PARTS/	1	
	NAS487-21 MS35206-234	•NUT..... •SCREW..... ----- * -----	3 3	
-4	TE-3 or 23-324-01	•INDICATOR, TURN AND SLIP (TKK or WS)..... /ATTACHING PARTS/	1	
	NAS487-21 MS35206-233	•NUT..... •SCREW..... ----- * -----	3 3	
-5	22-101-05-A AN5743-2 or A-11-90 or W-33-7510-ET	•CLOCK (WS or LW or WW)..... /ATTACHING PARTS/	1	
	NAS487-13 MS35206-232	•NUT..... •SCREW..... ----- * -----	2 2	
-6	MS28025-1 or 22-580-01-A or 22-580-05-1A	•ACCELEROMETER (TKK or TKS or WS)..... /ATTACHING PARTS/	1	
	NAS487-13 MS35206-232	•NUT..... •SCREW..... ----- * -----	3 3	
-7	2716 or OB-11-1A	•INDICATOR FREE AIR TEMP (SCI or TTK).....	1	