



SERVICE BULLETIN

FUJI HEAVY INDUSTRIES LTD.

HEAD OFFICE

: SUBARU BLDG,

SHINJUKU, TOKYO, JAPAN

FAS : FAS-051

DATE : March 15, 1971

1. SUBJECT : Change of Cigar Lighter Installing Location.
2. AIRCRAFT AFFECTED : FA-200 Series Serial Nos. 1 thru 126 aircrafts on which a Cigar Lighter is installed.
3. PRIORITY : Essential.
4. REASON : In order to prevent possible fire which may be caused when the subject lighter absorbs leaked fuel or oil, since the lighter is located under fuel pressure indicator and lubricating oil pressure indicator.
5. DESCRIPTION : Cigar lighter installing location to be changed as shown in figures 1 and 2.
6. ACCOMPLISHMENT : At the next 50 hours check or 100 hours check.
7. APPROVAL : JCAB Approval (NO-TOKYO-013) March 1, 1971.
8. PARTS REQUIRED : The following parts are required to perform the modification:

PART NO.	PART NAME	QTY
F-0315-150010	INSUL TUBING	1
320559	SPLICE	1
MIL-W-5086 TYPE II AN20	WIRE (H2A16)	L = 1,000

FAS - 051

PAGE 1 OF 3

8. PARTS REQUIRED : (cont.)

PART NO.	PART NAME	QTY
MIL-T-713 TYPE S CLASS 1 COND P	TWING & TYING	AR
SS-48155	PLUG BUTTON	1

9. SPECIAL TOOL : None required.

10. WEIGHT AND BALANCE : Negligible.

11. REFERENCE : None.

12. MANHOUR REQUIRED : 1 manhour required.

13. DETAILED INSTRUCTION:

- a. Pull out cigar lighter by removing nuts securing the lighter at the back of lower panel, and then separate harness.
- b. Using splice, 320559, connect new harness, H2A16, with the harness separated in the above step.
- c. Make new installing hole as illustrated in figure 2.
(Apply zinc chromate primer to bare metal.)
- d. Lead the harness extended in the step 2 to the new installing hole, and secure with tying in suitable position.
- e. After joining the lighter and harness with solder, install the lighter with nuts at the back of lower panel.
- f. Check for proper connection or short-circuit, then check for proper ignition of the installed cigar lighter.

-W

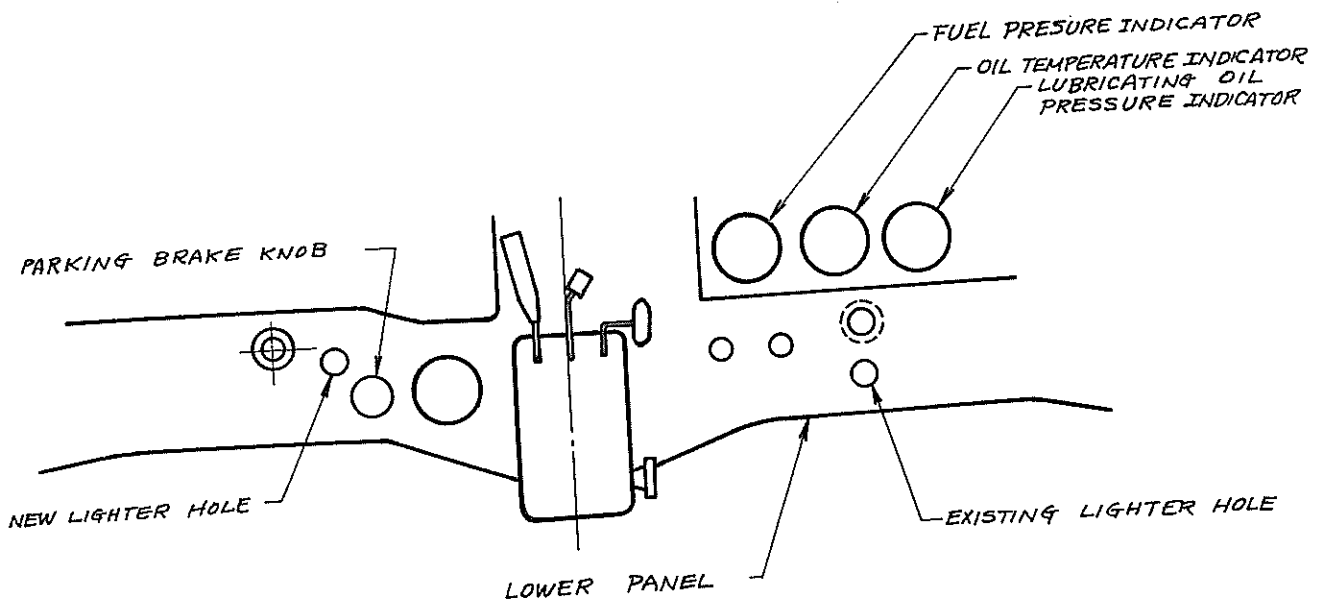


FIG. 1

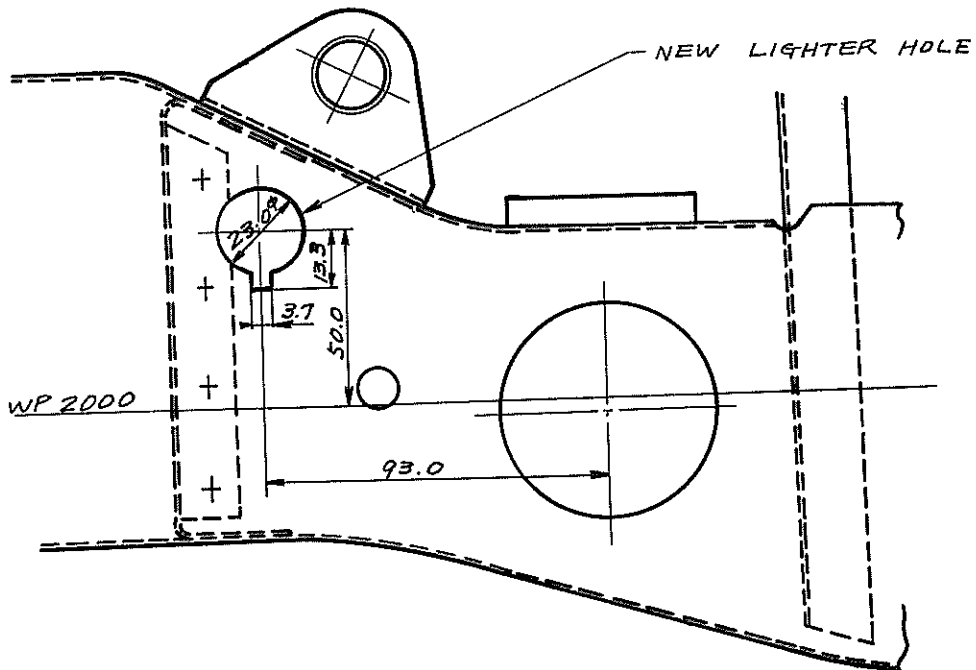


FIG. 2