

S E R V I C E    B U L L E T I N

FUJI HEAVY INDUSTRIES

NO.    FAS-015

DATE    28 January 1970.

1. SUBJECT :                    Installation of placard for caution not to rest foot on rudder pedals.
2. AIRCRAFT AFFECTED:        All FA-200 serial No. 12 through 101 airplanes.
3. PRIORITY :                    Mandatory.
4. REASON :                    It occurred that brake operation was not perfect during landing operation, because the copilot rested his foot on the pedals and push the lower parts of both pedals with all his strength. Accordingly, installation of the placard for caution should be imposed.
5. DESCRIPTION :                The placard for caution shall be installed on right side instrument panel as denoted in work procedure.
6. ACCOMPLISHMENT :            The placard shall be installed within 25 flight hours.
7. APPROVAL :                    JACB Approval No. 318, January 28, 1970.
8. PARTS REQUIRED :                The following part will be submitted to the owners without fee.

PART NUMBER	NAME	QUANTITY
200-324157-013	PLACARD - Caution, Rudder Pedal.	1

9. SPECIAL TOOLS :                Nothing.

10. WEIGHT AND BALANCE: No change.

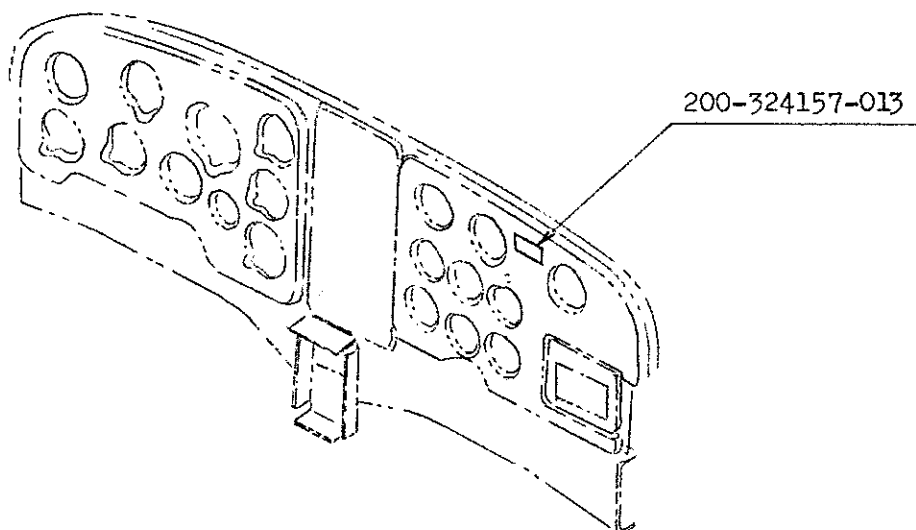
11. REFERENCES : Nothing.

12. MAN POWER : A little.

13. WORK PROCEDURE :

13-1 Make the panel cover of instrument panel clean.

13-2 Fix the placard on the panel as shown in illustration.



DURING LANDING OPERATION  
DO NOT REST FOOT ON PEDALS WHEN  
NOT ENGAGED IN CONTROL OF AIRCRAFT.

F/N 200-324157-013 PLACARD